



## CENTRIFUGAL PUMPS TYPE RC12 3", 4", 5", 6"

### REPAIR PARTS

**NOMENCLATURE**

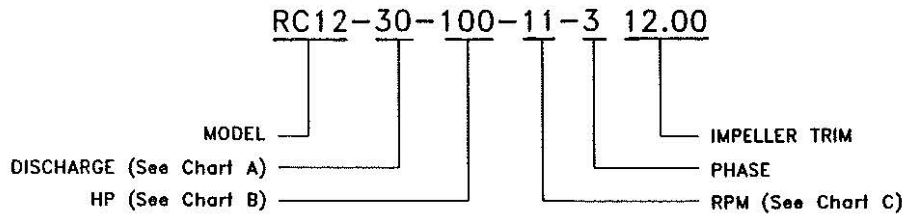


CHART A	
30	= 3"
40	= 4"
50	= 5"
60	= 6"

CHART B	
030	= 3 HP
050	= 5 HP
075	= 7 1/2 HP
100	= 10 HP
150	= 15 HP
200	= 20 HP
250	= 25 HP
300	= 30 HP
400	= 40 HP
500	= 50 HP
600	= 60 HP

CHART C	
17	= 1750RPM
11	= 1150RPM

## ORDERING PROCEDURE

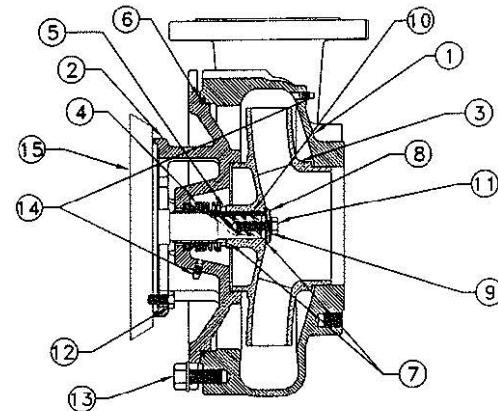
To order parts contact your local salesrep. If you do not know who your sales rep is contact the factory for help in locating your local sales rep.

When a part number is not known or shown in the parts catalog, the complete model and serial number of the unit on which the part is to be used must be given.

Complete part number and description is required when ordering.

MEPCO reserves the right to substitute parts if they are interchangeable with those ordered.

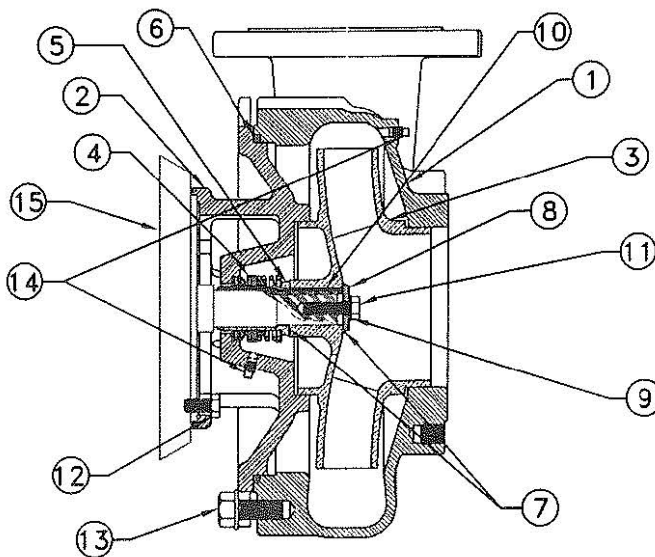
ITEM	PART #	DESCRIPTION
1	100477	CASING-RC12-30 CAST IRON
1	100478	CASING-RC12-40 CAST IRON
1	100479	CASING-RC12-50 CAST IRON
1	100480	CASING-RC12-60 CAST IRON
2	100507	ADAPTER-RC12-30 & 40 143-184 CAST IRON
2	100506	ADAPTER-RC12-50 & 60 143-184 CAST IRON
2	100508	ADAPTER-RC12-30 & 40 213-215 CAST IRON
2	100509	ADAPTER-RC12-50 & 60 213-215 CAST IRON
2	100510	ADAPTER-RC12-30 & 40 254-256 CAST IRON
2	100511	ADAPTER-RC12-50 & 60 254-256 CAST IRON
2	10513	ADAPTER-RC12-30 & 40 284-326 CAST IRON
2	100512	ADAPTER-RC12-50 & 60 284-326 CAST IRON
3	100498	IMPELLER-RC12-30 143-215 BRONZE
3	100499	IMPELLER-RC12-30 254-326 BRONZE
3	100500	IMPELLER-RC12-40 143-215 BRONZE
3	100501	IMPELLER-RC12-40 254-326 BRONZE
3	100502	IMPELLER-RC12-50 143-215 BRONZE
3	100503	IMPELLER-RC12-50 254-326 BRONZE
3	100504	IMPELLER-RC12-60 143-215 BRONZE
3	100505	IMPELLER-RC12-60 254-326 BRONZE
4		SEAL KIT SEE CHART
5	A2-8908	SLEEVE 143-215 (Integral Part of Seal kit)
5	A2-8909	SLEEVE 254-326 (Integral Part of Seal kit)
6	S-5337	O-RING-CASING RC12 (Integral Part of Seal kit)



ITEM	PART #	DISCRPTION
7	S-4861	O-RING-IMPELLER 143-215 (Integral Part of Seal kit)
7	S-4892	O-RING-IMPELLER 254-326 (Integral Part of Seal kit)
8	A2-3021XIT.1	WASHER-IMPELLER 143-215 (Integral Part of Seal kit)
8	A2-3021XIT.4	WASHER-IMPELLER 254-326 (Integral Part of Seal kit)
9	S-3313	WASHER-SEALING 143-215 (Integral Part of Seal kit)
9	S-3293	WASHER-SEALING 254-326 (Integral Part of Seal kit)
10	A2-8910	KEY-IMPELLER 143-215 (Integral Part of Seal kit)
10	A2-8911	KEY-IMPELLER 254-326 (Integral Part of Seal kit)
11	S-5109	SCREW-CAP IMPELLER142-215 BF/AB (Integral Part of Seal kit)
11	S-5203	SCREW-CAP IMPELLER 254-326 BF/AB (Integral Part of Seal kit)
12	102S06A2	SCREW-WH SER 3/8-16X1 (143-184)
12	102S07A1	SCREW-WH SER 1/2-13X1 (213-256)
12	102S08A1	SCREW-WH SER 5/8-11X1 (284-326)
13	102S12A1	SCREW-WH SER 3/4-10X1-1/4
14	101S01A1	PLUG-PIPE 1/8" BRASS

SEAL KITS

MOTOR FRAME	SEAL MATERIAL	PUMP TYPE	PART NUMBER
143/215	BUNA N	BF/AB	ML11775
143/215	EPT	BF/AB	ML11776
143/215	VITON	BF/AB	ML11777
143/215	BUNA N	AI	ML11781
143/215	EPT	AI	ML11782
143/215	VITON	AI	ML11783
254/326	BUNA N	BF/AB	ML11784
254/326	EPT	BF/AB	ML11785
254/326	VITON	BF/AB	ML11786
254/326	BUNA N	AI	ML11790
254/326	EPT	AI	ML11791
254/326	VITON	AI	ML11792



SEAL KIT INCLUDES: SEAL, SLEEVE, CASING O-RING, IMPELLER O-RING, SEALING WASHER, IMPELLER WASHER & CAP SCREW.

BF = BRONZE FITTED  
 AB = ALL BRONZE  
 AI = ALL IRON

ITEM	PART #	DESCRIPTION
MOTORS (1150 RPM)		
15	S-5470	MOTOR 3 HP 3 PH-ODP-213JM
15	S-5471	MOTOR 5 HP 3 PH-ODP-215JM
15	S-5472	MOTOR 7 1/2 HP 3 PH-ODP-254JM
15	S-5473	MOTOR 10 HP 3 PH-ODP-256JM
15	S-5474	MOTOR 15 HP 3 PH-ODP-284JM
15	S-5475	MOTOR 20 HP 3 PH-ODP-286JM
MOTORS (1750 RPM)		
15	S-3154	MOTOR 7 1/2 HP 1 PH-ODP-213JM
15	S-3155	MOTOR 10 HP 3 PH-ODP-213JM
15	S-4985	MOTOR 15 HP 3 PH-ODP-254JM
15	S-5112	MOTOR 20 HP 3 PH-ODP-256JM
15	S-5210	MOTOR 25 HP 3 PH-ODP-284JM
15	S-5191	MOTOR 30 HP 3 PH-ODP-286JM
15	S-5525	MOTOR 40 HP 3 PH-ODP-324JM
15	S-5526	MOTOR 50 HP 3 PH-ODP-326JM

3695 44th Street SE Grand Rapids, MI 49512 - (P) 616-971-3420 (F) 616-971-3421 - www.mepcollc.com